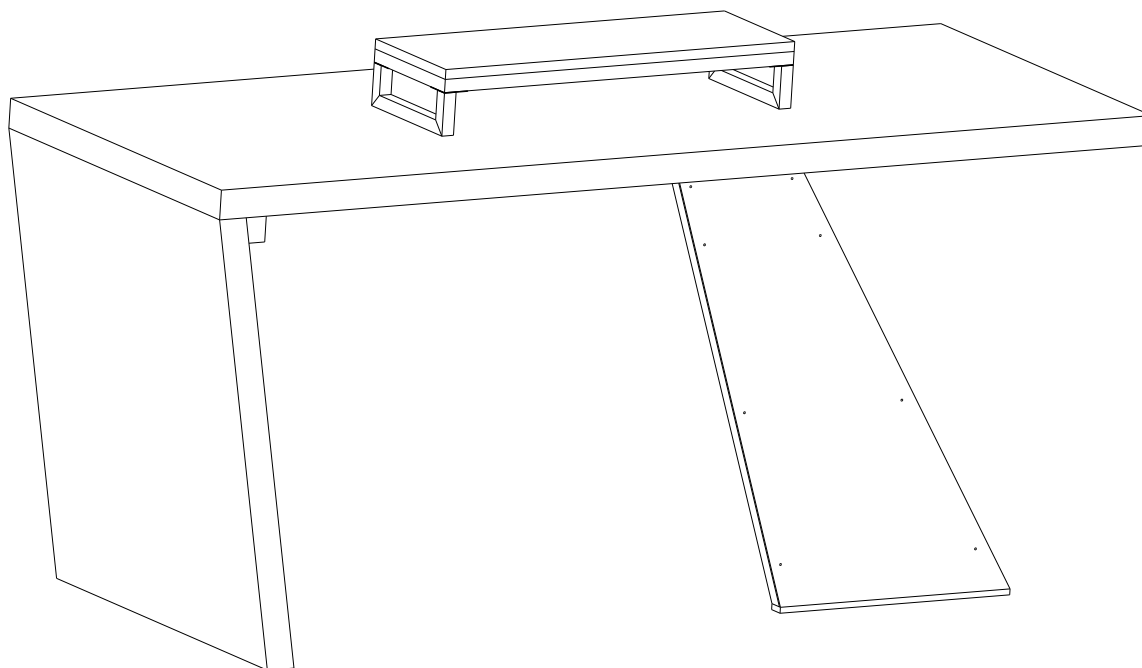


Bookcase WF312961 WF312962

Assembly Instructions - Please keep for future reference



Important – Please read these instructions fully before starting assembly

Safety and Care Advice

Important – Please read these instructions fully before starting assembly

- Check you have all the components and tools listed on the following pages.
- Remove all fittings from the plastic bags and separate them
- Keep children and animals away from the work area, small parts could choke if swallowed.
- Make sure you have enough space to layout the parts before

- During assembly do not stand or put weight on the product, this could cause damage.
- Assemble the item as close to its final position (in the same room) as possible.
- Assemble on a soft level surface to avoid damaging the unit or your floor.
- Parts of the assembly will be easier with 2 people.



- To reduce the likelihood of damaging your product please ensure that your power drill is set on a low torque setting.

Care and maintenance

- Only clean using a damp cloth and mild detergent, do not use bleach or abrasive cleaners.
- From time to time check that there are no loose screws on this unit.
- This product should not be discarded with household waste. Take to your local authority waste disposal centre.

Handy Hints

- Assemble all parts and bolts loosely during assembly, only once the product is complete should you fully tighten the bolts
- Regularly check and ensure That all bolts and fittings are tightend properly.

WARNING In order to help prevent overturning – please follow these instructions

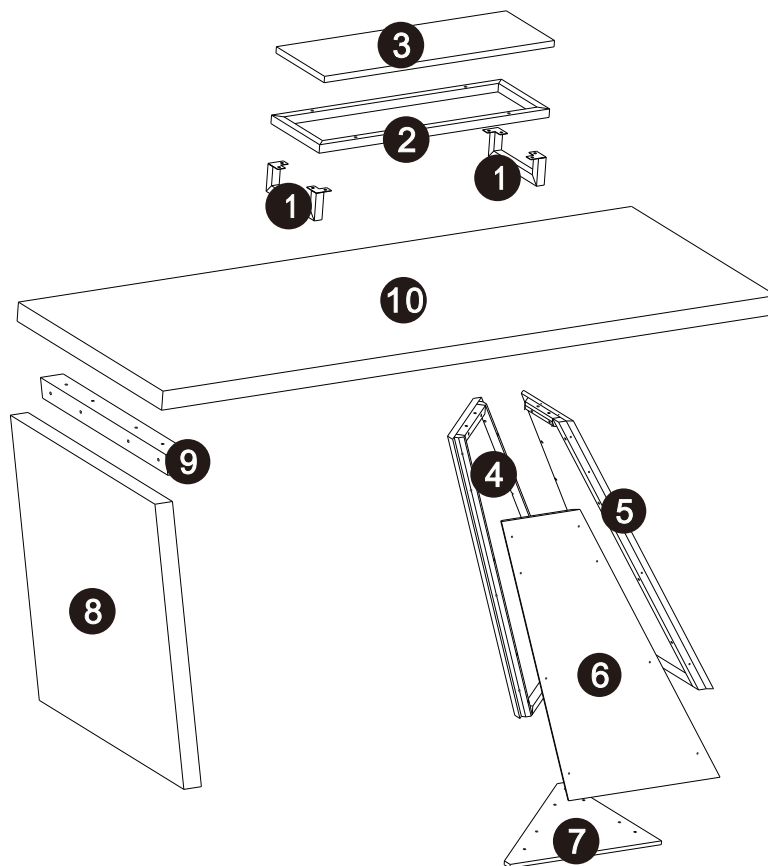
To help prevent product toppling over please follow the below steps:-

Use the anti tip stap or wall fixing method provided (if applicable)
Do not allow children to climb or hang on the furniture
Do not open more than one drawer at a time
Do not place heavy items in the top drawers
Do not place heavy items on top of the furniture, unless the furniture has been designed for this purpose

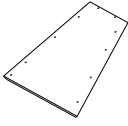
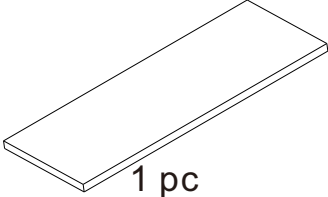
please note that only the anti tip strap is provided.

You will need to provide wall plugs and screws applicable for your wall type

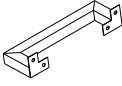
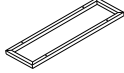
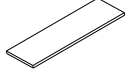
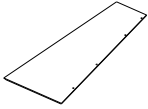
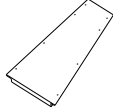
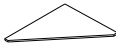
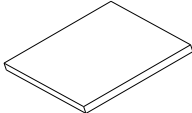
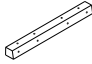
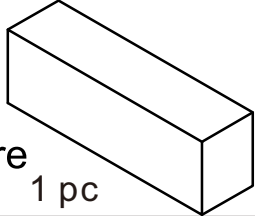
Assembly Instructions



Part List: WF312961

6  1 pc	10  1 pc
---	--

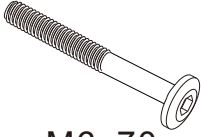
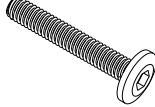
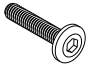
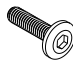


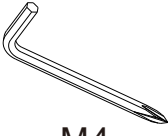

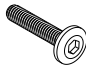

Part List: WF312962

1  2 pcs	2  1 pc	3  1 pc
4  1 pc	5  1 pc	7  1 pc
8  1 pc	9  1 pc	11 Hardware  1 pc

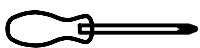
Hardware list: WF312962

Please check you have all the panels listed below

Note: The quantitie below are the correcet amount to complete the assembly. In some cases more fittings may be supplied than are required.

<p>A</p>  <p>x4 M6x70</p>	<p>B</p>  <p>x8 M6x45</p>
<p>C</p>  <p>x4 M6x35</p>	<p>D</p>  <p>x8 M6x20</p>
<p>E</p>  <p>x12 M3x15</p>	<p>F</p>  <p>x6 M4x25</p>
<p>G</p>  <p>x1 M4</p>	<p>H</p>  <p>x5</p>
<p>I</p>  <p>x4 M6x30</p>	<p>J</p>  <p>x1</p>

Tools required



Phillips screwdriver
(medium & large), This is not include in the hardware.

Ruler - Use this ruler to help correctly identify the screws

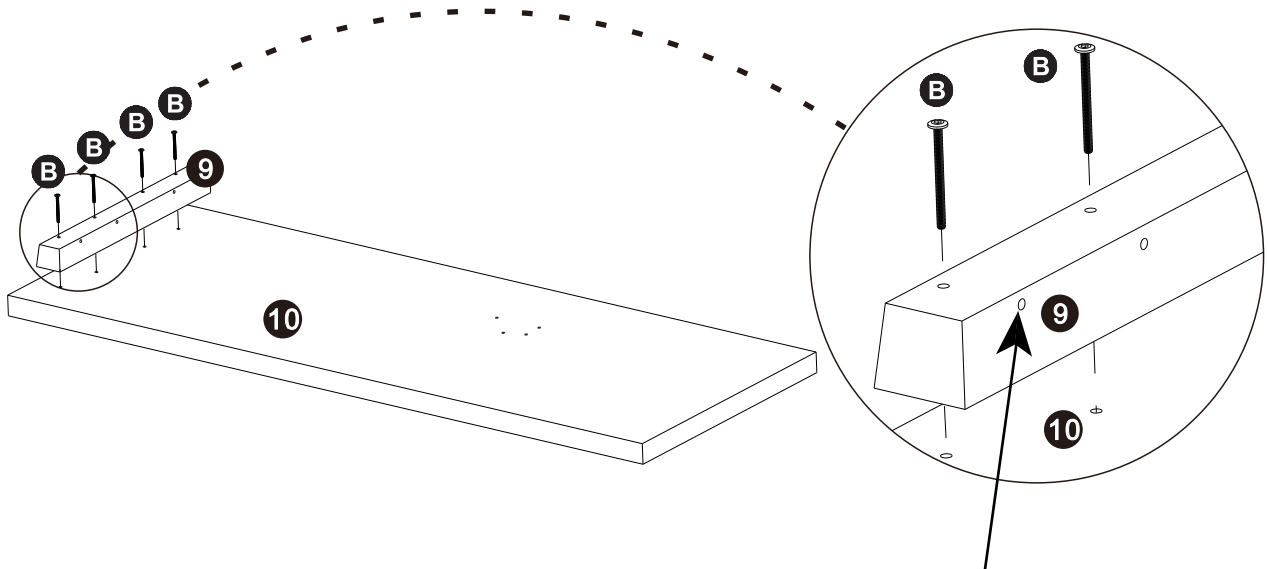
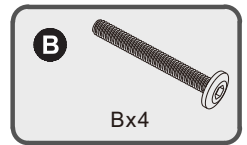
0 5 10 15 20 25 30 35 40 45 50 55 60 65 70 75 80 85 90 95 100 105 110 115 120 125 130 135 140 145 150 155 160 165 170



The screws length is measured from the head to the point (30mm screw shown).

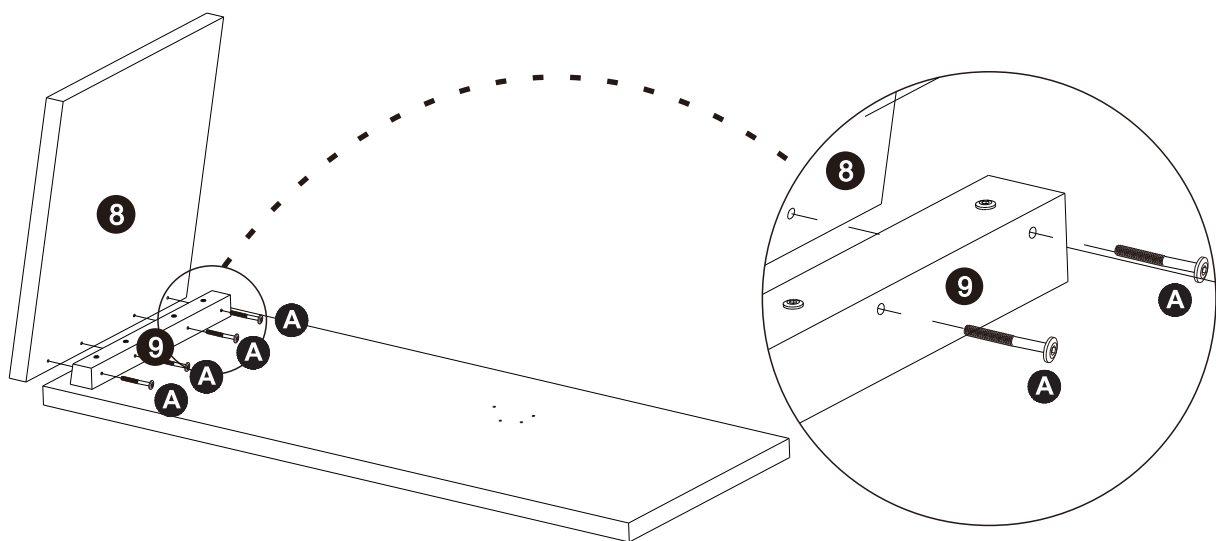
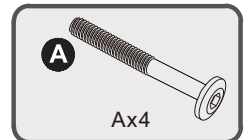
Assembly Instructions

Step 1



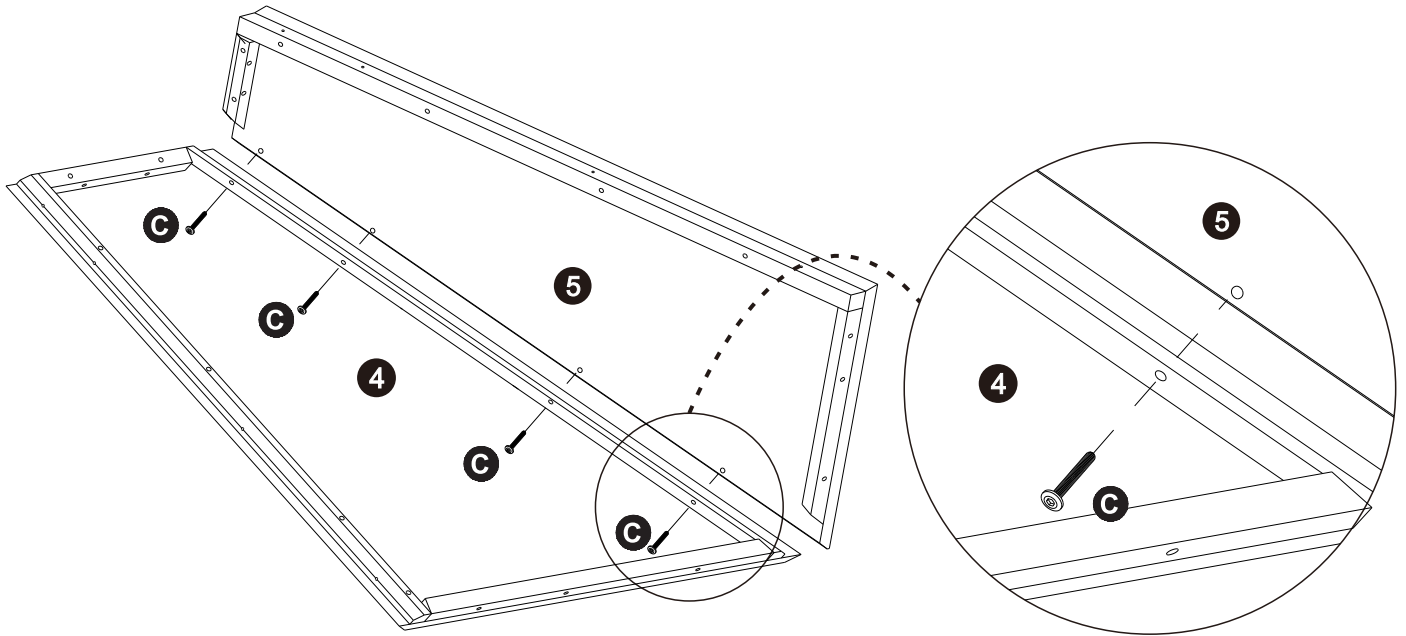
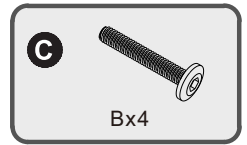
The hole is on the upper side

Step 2

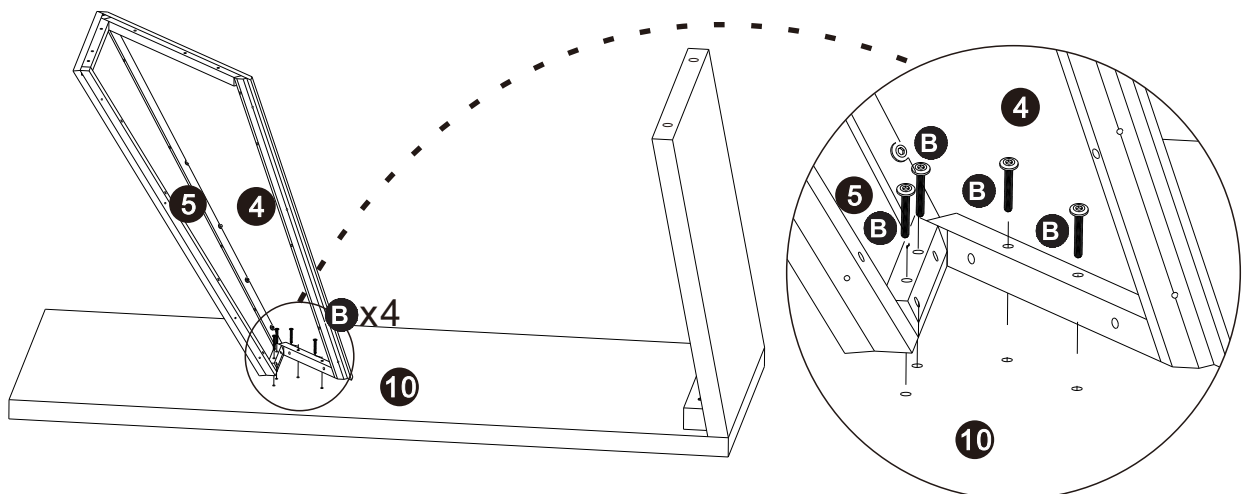
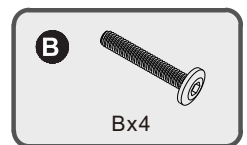


Assembly Instructions

Step 3

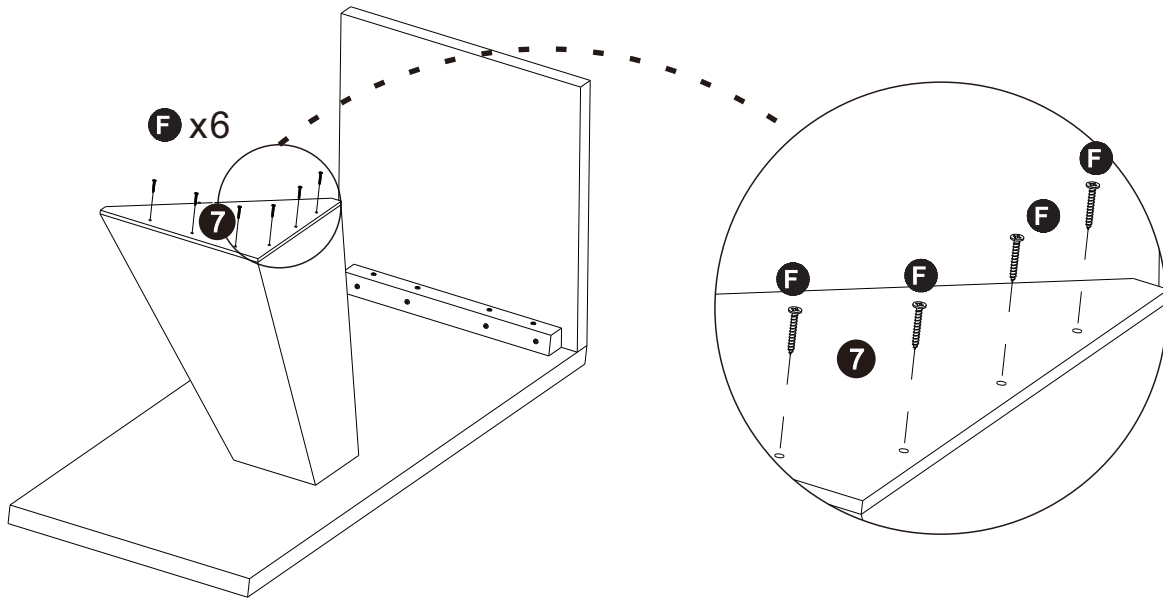
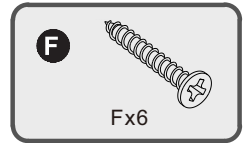


Step 4

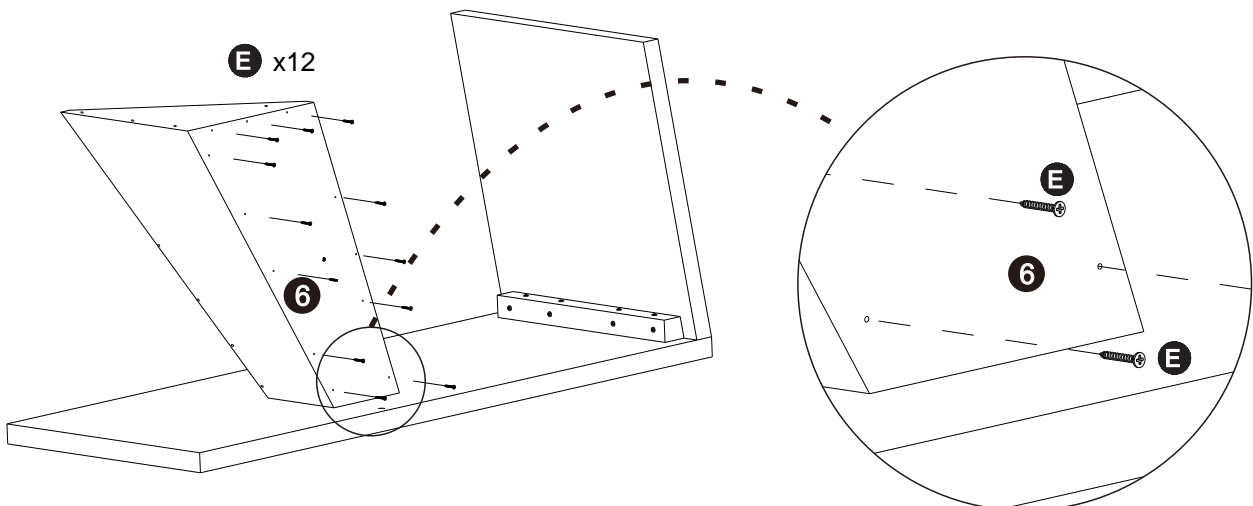
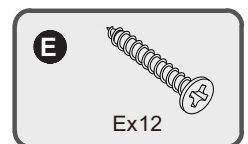


Assembly Instructions

Step 5

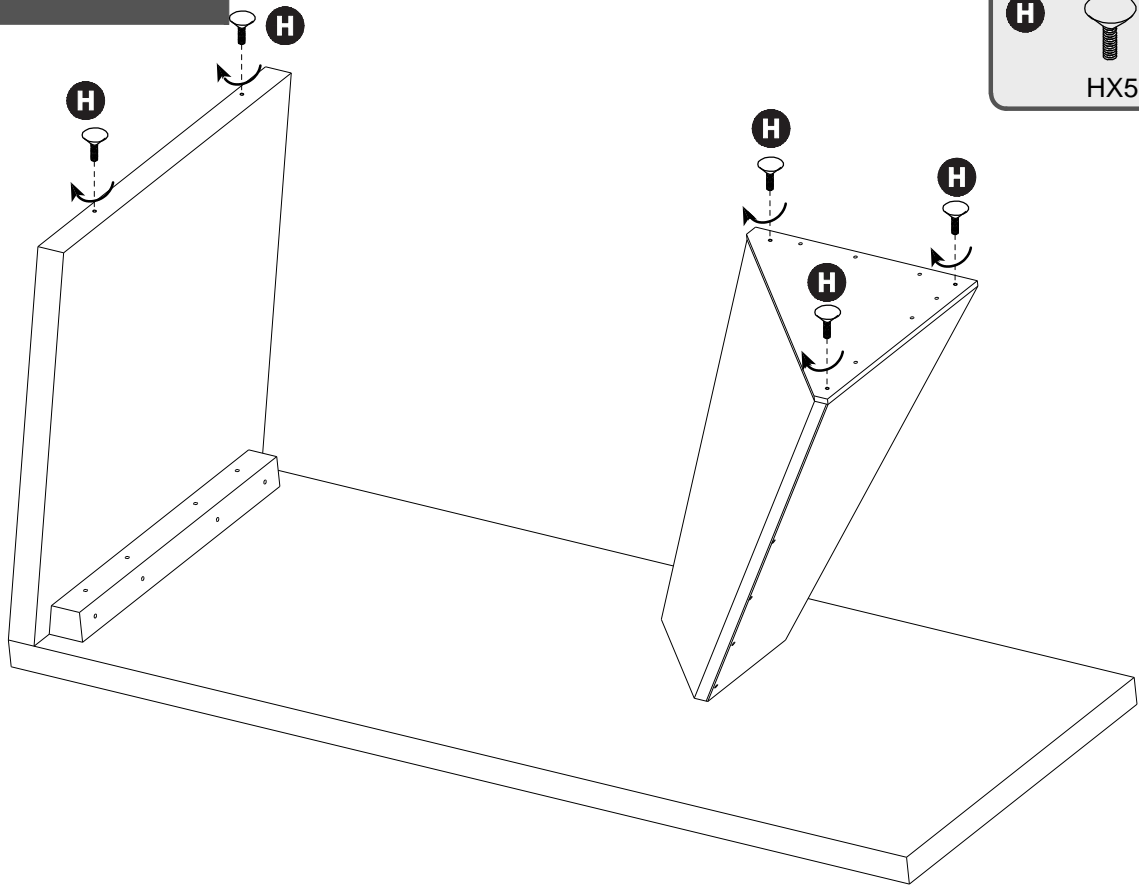


Step 6

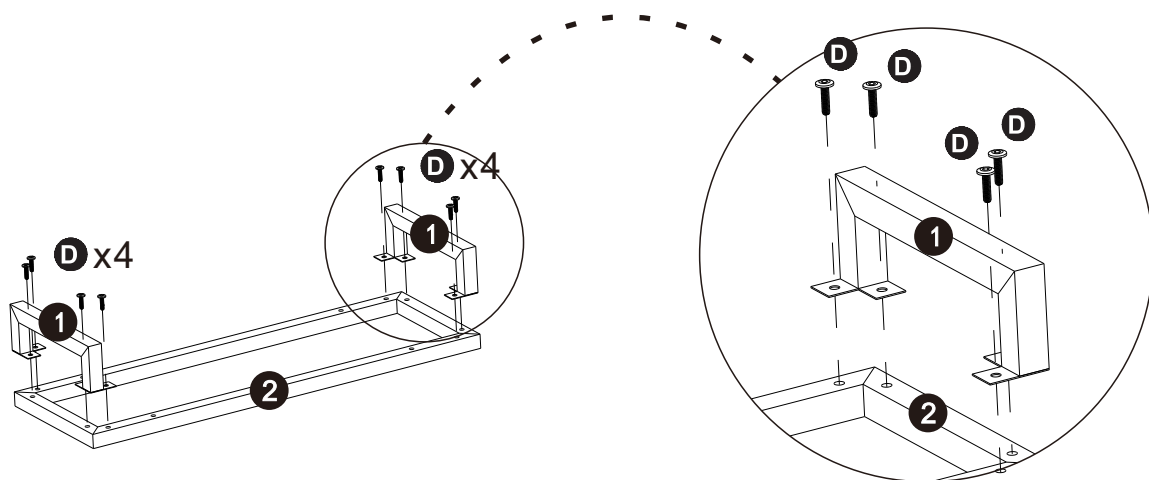


Assembly Instructions

Step 7

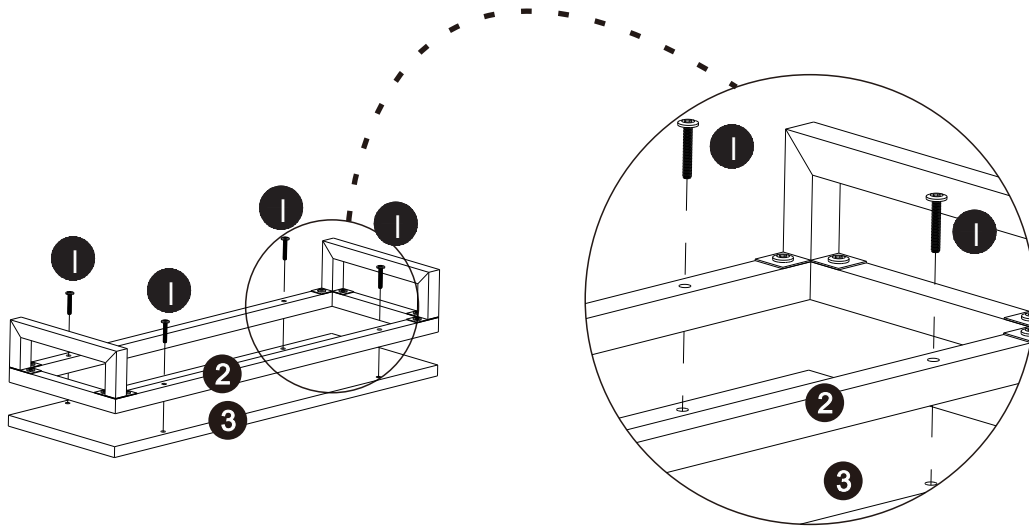
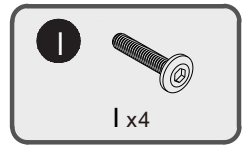


Step 8

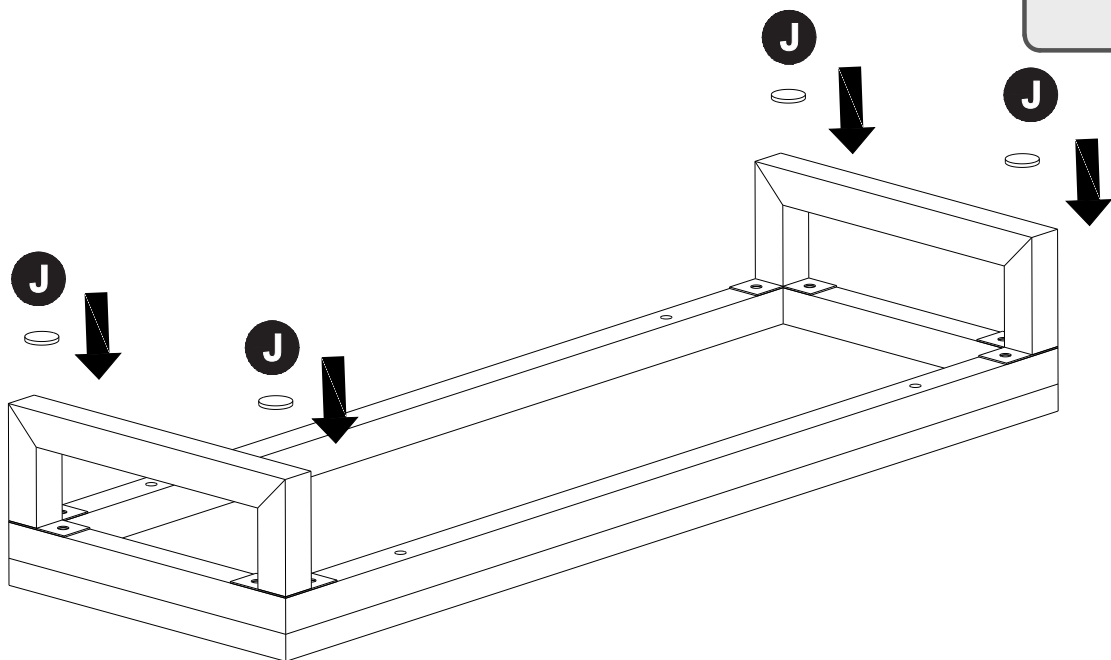


Assembly Instructions

Step 9



Step 10



Assembly Instructions

Step 11

